

Dosing systems

flowDos pro 13-7



flowDos pro is a textile dosing system that can operate with up to 7 washing machines and dose up to 13 washing chemicals.

Its built-in system separator in accordance with DIN EN 1717 guarantees category 5 separation from the potable water supply.

The system stores 80 recallable washing programs, and documents all washing processes.

Technische Daten flowDos pro 13-7

Company or brand name	Permatech
Appliance type	Dosing systems
Type or sales description	flowDos pro 13-7
Order number	4312.1

Performance data

Maximum flow rate:	1000 ml/min
Number of washing machines:	7
Number of chemical products:	13
Water supply pressure:	0,5...6 bar
Water temperature:	4 ... 40 °C
Separation from potable water supply:	DIN EN 1717 cat. 5
Suction head:	1.8 m

Configuration

Device:	Windows laptop (SSC software)
Washing programs:	80 dosing programs
Product dosings:	426 program steps
Program steps:	2304 product dosings
Operating modes:	Direct 1:1
	Direct sum
	Direct binary
	APD mode (Automatic Program Detection)
	MPD mode (Manual Program Detection)

Electrical data

Operating voltage:	100 ... 240 V
Frequency:	50 / 60 Hz
Input power:	69 VA
Control input voltage:	12 ... 240 V AC/DC

Data storage

	Detergent / dosing program request
	Container empty events / container change
	Error events: dosing error / no water

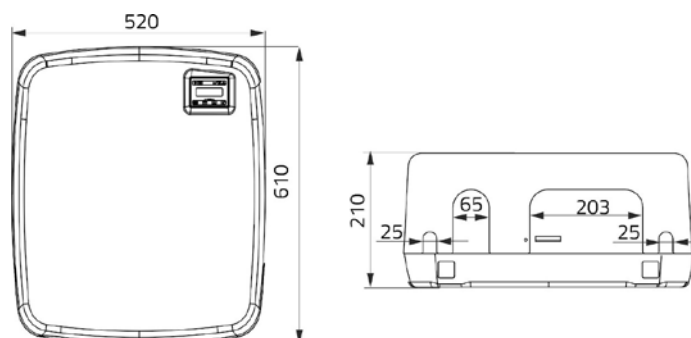
Mechanical data

Dimensions:	520 × 610 × 210 mm
Weight:	12.6 kg
Tube connections suction side:	8 mm internal diameter

Ambient conditions

Ambient temperature range:	+10 ... +45 °C
Environmental stress:	Conforms to DIN EN 60068-2-38

Dimensions



Products

Art. no.	Designation
4311.1	dosing system flowDos pro 7-1
4312.1	dosing system flowDos pro 13-7